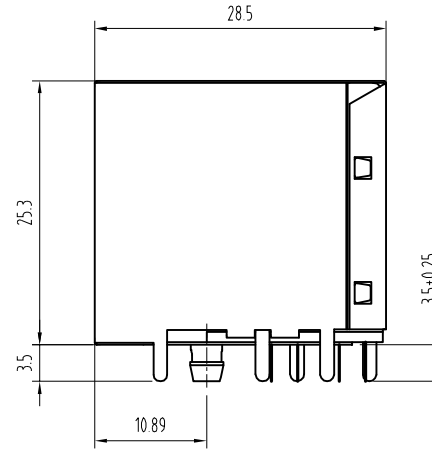
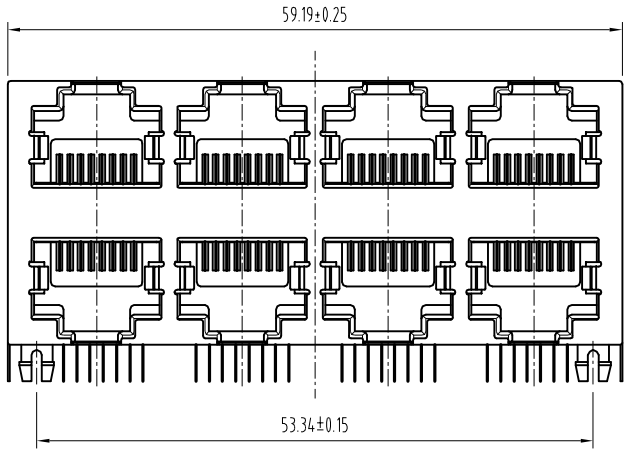


REVISION RECORD				
REV	ECCO	DESCRIPTION	DRFT	CHKD



NOTES:

MATERIAL:

- |                     |   |
|---------------------|---|
| 1. HOUSING MATERIAL | : GLASS FILLED POLYESTER UL94V-0.                   |
| 2. CONTACT MATERIAL | : PHOSPHOR BRONZE $\phi 0.46$ mm.                   |
| 3. PLATING          | : GOLD PLATING OVER NICKEL.                         |
| 4. SHIELD           | : 0.23mm THICKNESS COPPER ALLOY WITH NICKEL PLATED. |

ELECTRICAL:

- |                                       |                              |
|---------------------------------------|------------------------------|
| 1. VOLTAGE RATING                     | : 125 VAC RMS.               |
| 2. CURRENT RATING                     | : 1.5 AMP.                   |
| 3. CONTACT RESISTANCE                 | : 30 MILLIOHMS MAX.          |
| 4. INSULATION RESISTANCE              | : 500 MEGOHMS MIN @ 500V DC. |
| 5. DIELECTRIC WITHSTANDING RESISTANCE | : 1000V AC RMS 50Hz. 1MIN.   |

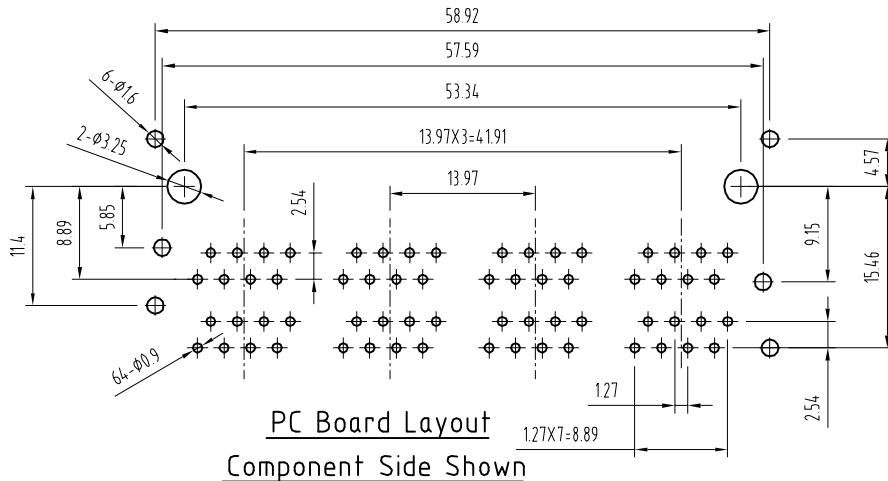
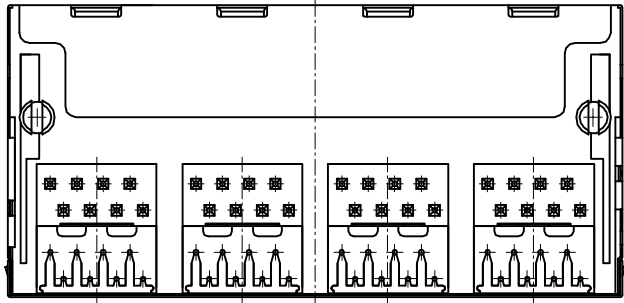
MECHANICAL:

- |                             |                   |
|-----------------------------|-------------------|
| 1. DURRABILITY              | : 750 CYCLES MIN. |
| 2. PCB RETENTION PRE-SOLDER | : 1 LB MIN.       |

ENVIRONMENTAL:

- |              |                 |
|--------------|-----------------|
| 1. STORAGE   | : -40°C ~ +85°C |
| 2. OPERATION | : 0°C TO 70°C.  |

PART NUMBER:



DFTO: SHB CHKD: LANBO MFG: APPVL: DATE:	DATE: 2007.05.03		TITLE <b>5921 8P8CS 2*4</b>	
	DATE: 2007.05.03			
	DATE:			
	DATE:			
TOLERANCES EXCEPT AS NOTED MM .1 ± 0.15 .01 ± 0.175 .001 ± 0.25		MATERIAL:		
ANGLES ± 0.5		QTY:		
THIRD ANGLE PROJECTION		FINISH:		
SCALE:		DRAWING NO. TES981006 /PART NO.		
DO NOT SCALE DRAWING		SHEET X OF Y	SIZE A3 REV 0	